



31.5" Colored E-paper Display Signage Board

E-paper display function parameters

(1) 31.5-inch e-paper display product introduction

The product adopts a 31.5-inch e-paper display, which has ultra-low power consumption, energy saving and environmental protection, high definition, and close to paper display effects.

The surface of the product is protected by toughened plexiglass, and the shell is made of a combination of aluminum profiles and wood frame materials, suitable for direct wall mounting or embedded personalized shell use.

(2) Product Characteristics

- The screen could display normally after power off;

Bistable technology, when the power is off, the screen content remains the last screen when the power is on;

- Ultra-low power consumption:

Environmentally friendly, it consumes almost no power when the picture is not updated;

- Paper texture:

Has a viewing quality similar to the texture of paper;

- Excellent visualization performance

Clearly visible in sunlight;

- Mature interior design

It can work normally at 0°C-50°C;

(3) 31.5 inch EPD parameters:

| Name | Specification |
|---------------|-------------------------|
| Size | 31.5 inch |
| Platform | E Ink Spectra 6 |
| Display area | 696.32 (H) x 391.68 (V) |
| Resolution | 2560 (H) × 1440 (V) dot |
| PPI | 94 |
| Color | Color |
| Panel surface | Haze 6.5%±2% |
| Display mode | Reflection pattern |



| | |
|---------------------------|---|
| Play mode | Defaults to Android WIFI hotspot (cloud mode and LAN PC mode is available) |
| Power supply | 12V DC |
| Average power Consumption | ≤6W |
| Operating temperature | 0°C—+50°C |
| Storage temperature | -20°C—+70°C |
| Humidity | ≤80%, no condensation |

(4) Network Controller Parameters:

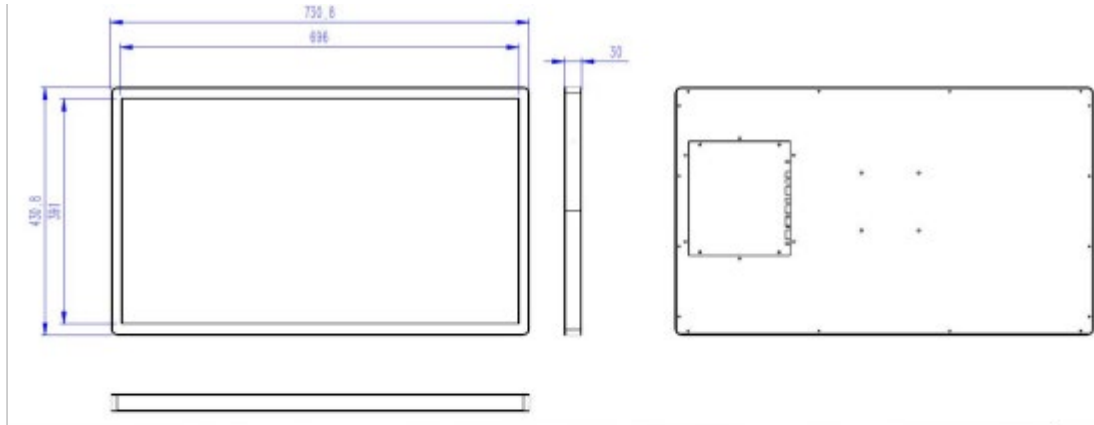
| | |
|---------------------|---|
| CPU | RK3288 Quad-Core ARM Cortex-A17, integrated four ARM Mali- T764 GPU |
| Running memory | 2G DDR3 |
| Internal storage | Standard configuration 16G |
| External Storage | External TF memory card up to 64G can be connected. |
| Reticulation | Support Gigabit wired network port |
| | Support 2.4G wireless networks |
| | Support Bluetooth |
| | Support 3G/4G wireless modules |
| Timing function | Support timer on/off function |
| Software monitoring | Monitoring of specific applications can be realized through settings or software interfaces to ensure the normal and stable operation of the application. |



Product photos:



Product drawings:



Portable product drawings:

